

PRIME DESIGNTM


A Safe Fleet Brand

ErgoRack[®]



THE ERGONOMIC LADDER RACK SOLUTION

ERGORACK® BENEFITS

-  Easy to use – deploys with only 2 fingers.
-  Eliminates slip and fall hazards from climbing on bumper or tire.
-  Improve productivity – Deploy or stow in less than 20 seconds.
-  Removable handle – easy access for operators of any height.
-  Maintain vehicle warranty and resale value with no holes to drill.
-  Control ladder deployment with adjustable hydraulic cylinder
-  Winner of ergonomic awards in USA, France, Germany and Australia.
-  Deter theft and secure contents with padlock ready handle



their rust vs. Prime Design no rust

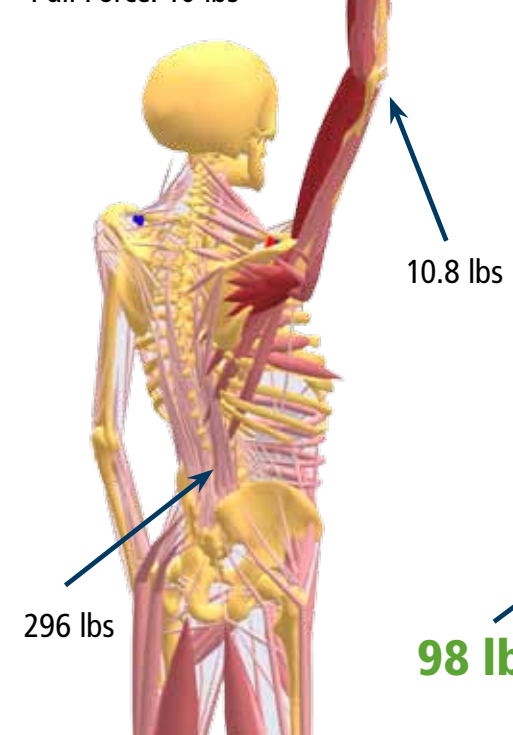


competition vs. ErgoRack®

THE ERGONOMIC ADVANTAGE

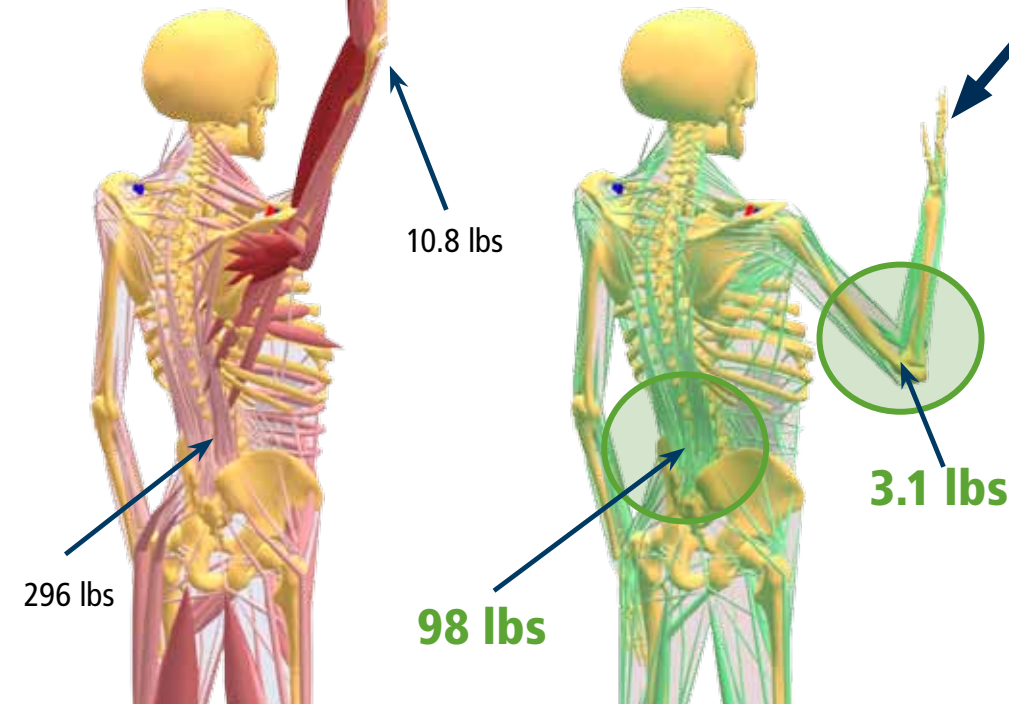
TRADITIONAL LADDER RACK SOLUTION

Pull Force: 10 lbs



ERGORACK®

Pull Force: 10 lbs



* Muscles that are larger and darker indicate higher exertion and muscle strain.

SUPERIOR DESIGN & MORE

ErgoRack's® design minimizes muscle stress associated with loading and unloading ladders. It's design creates mechanical advantage that reduces the force needed to pull the handle and rotate the ladder up or down.

ERGONOMIC FUNCTION

ErgoRack® reduces stress to the lower back and shoulders by eliminating the need to step on the bumper or tailgate to access a ladder.



Search term "Prime Design ErgoRack USA" to find more information.

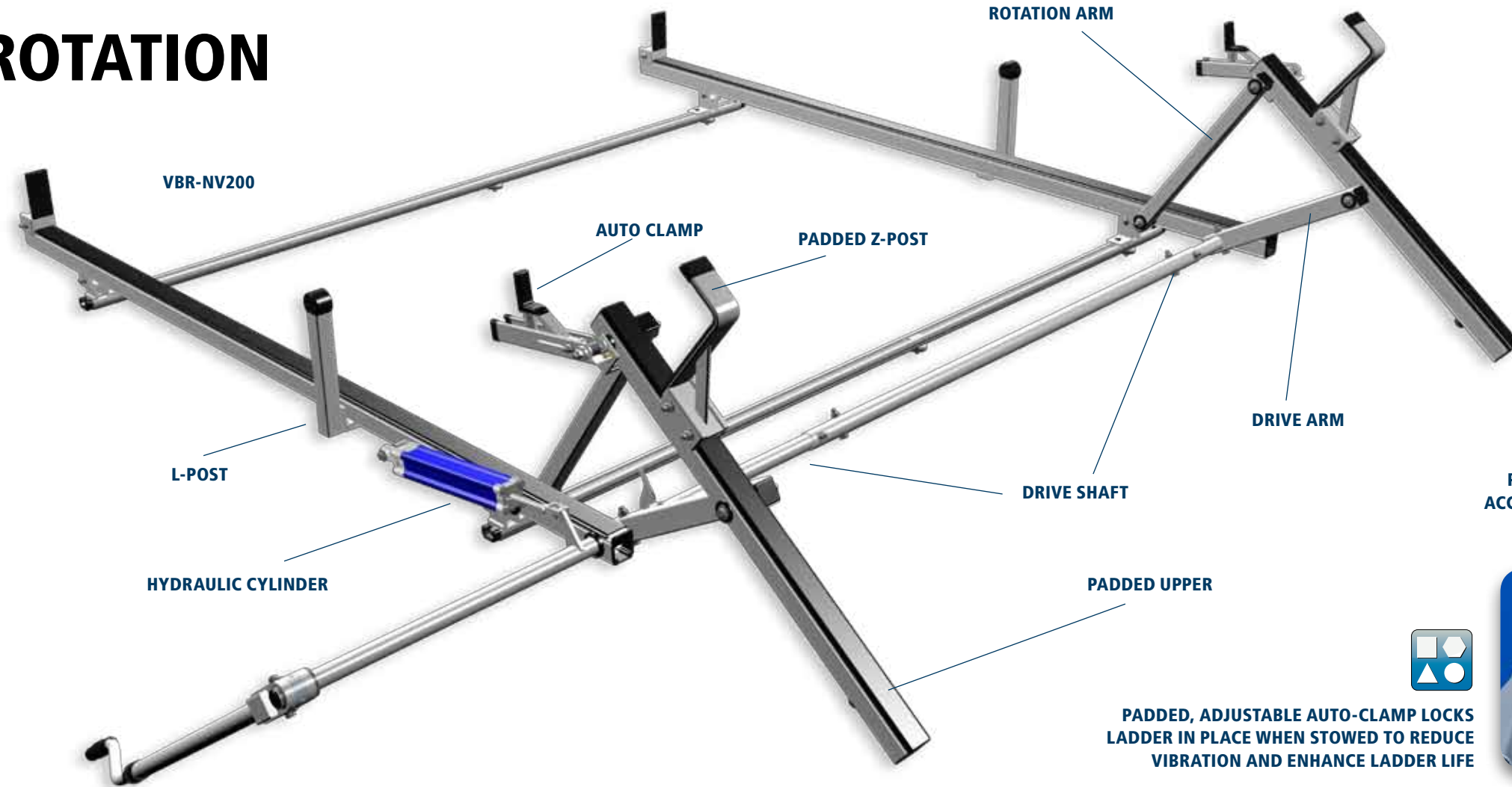


HORIZONTAL ROTATION

Horizontal Rotation allows the operator to easily rotate a ladder from a stowed position to the deployed position.



CONTROL LADDER DEPLOYMENT WITH ADJUSTABLE HYDRAULIC CYLINDER



SECURE LADDER TO DETER THEFT



ENHANCED OPERATOR POSITIONING REDUCES ACCIDENTS AND INJURIES



PADDED, ADJUSTABLE AUTO-CLAMP LOCKS LADDER IN PLACE WHEN STOWED TO REDUCE VIBRATION AND ENHANCE LADDER LIFE

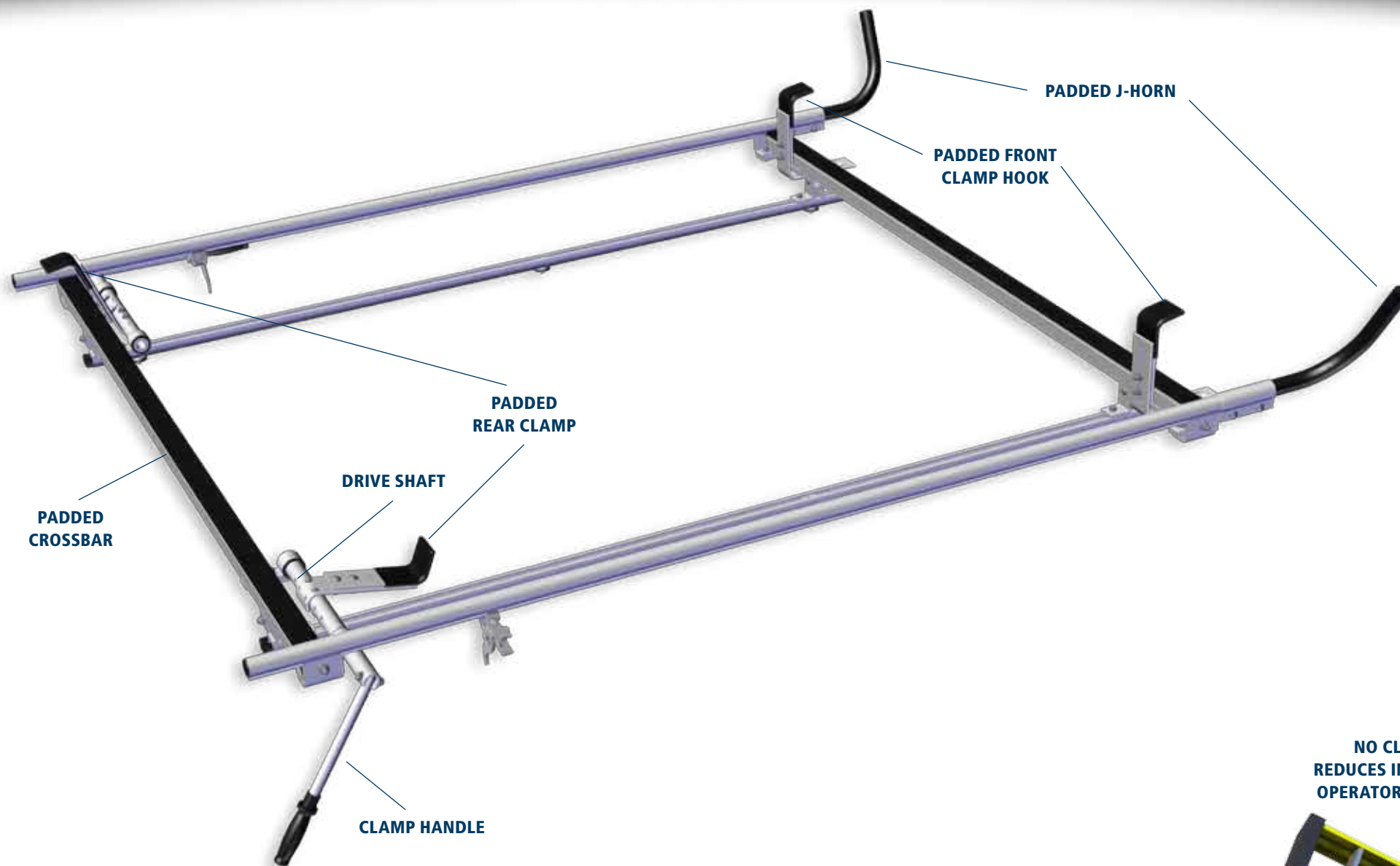


CLAMP DOWN

An economical solution ideally suited for transporting smaller, lightweight ladders on low roof vans or pickup truck toppers.



A PULL OF THE HANDLE RELEASES OR ENGAGES THE CLAMP



SECURE LADDER TO DETER THEFT



PADDED J-HORN MAKES CONTROLLING THE LADDER EASIER



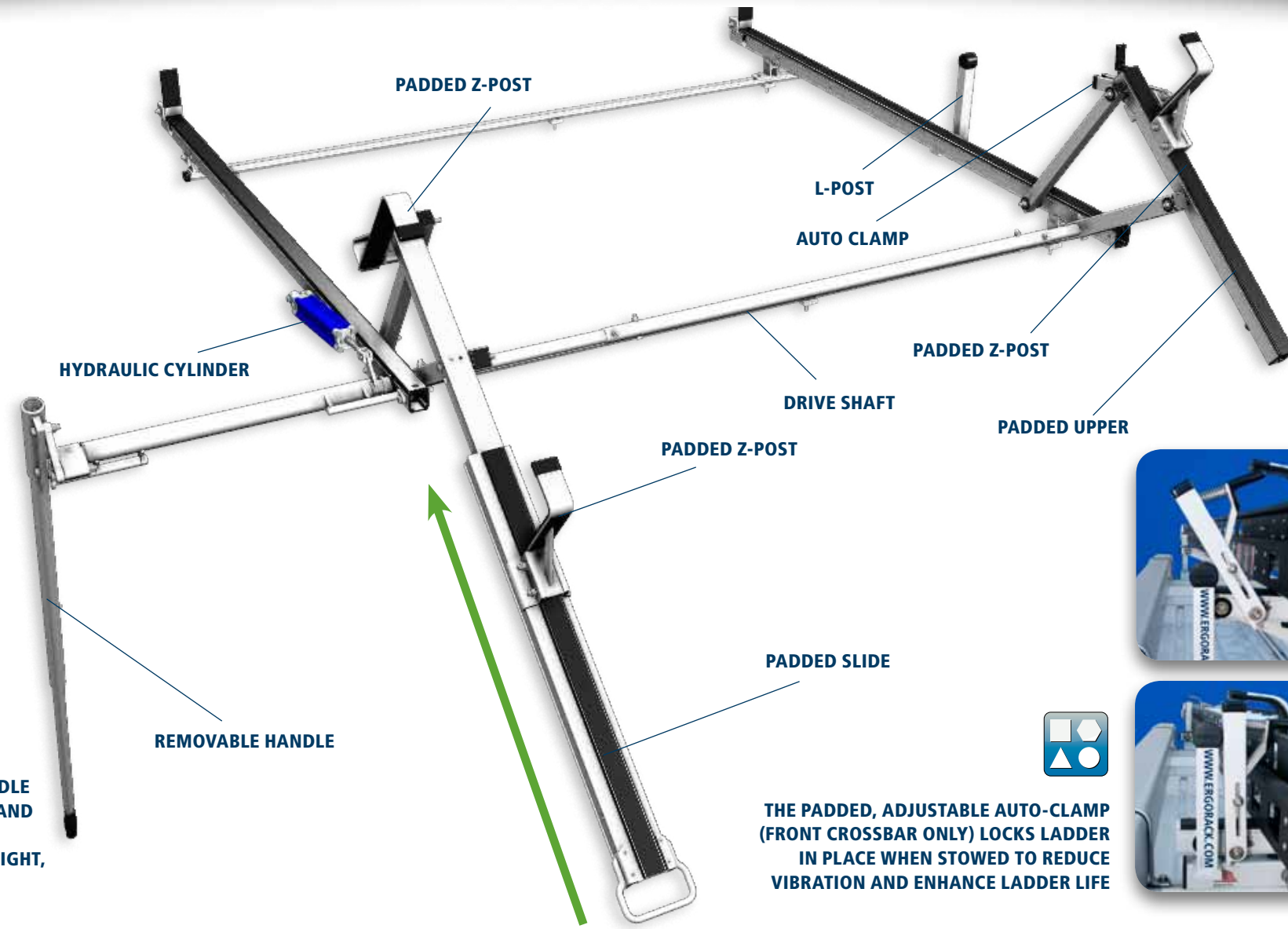
NO CLIMBING ON THE VEHICLE REDUCES INJURIES BY KEEPING THE OPERATOR'S FEET ON THE GROUND



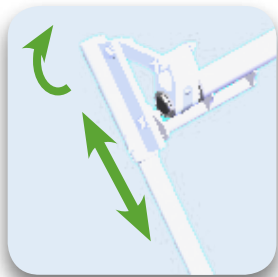
HIGH ROOF

Accessing a ladder on a high roof vehicle can prove a challenge. ErgoRack® answers the challenge with two unique features.

1. Most high roof racks are equipped with a slide extension which lowers the ladder an additional 22 inches.
2. All high roof racks are equipped with an adjustable, removable handle which improves the operators reach.



SLIDE EXTENSION LOWERS THE LADDER FOR EASY UNLOADING OR LOADING.



REMOVABLE HANDLE ALLOWS ACCESS AND OPERATION FOR USERS OF ANY HEIGHT, SHORT OR TALL

THE PADDED, ADJUSTABLE AUTO-CLAMP (FRONT CROSSBAR ONLY) LOCKS LADDER IN PLACE WHEN STOWED TO REDUCE VIBRATION AND ENHANCE LADDER LIFE



ROOF HEIGHT

Got a high roof? We can help. ErgoRack® works on all medium and high roof van models.

7 TO 8 FEET



8 TO 10 FEET *



* Rack models include slides



ADDITIONAL OPTIONS

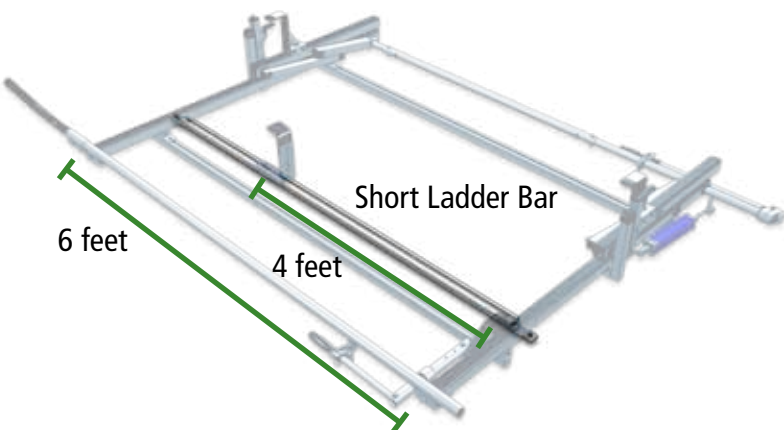
One size does not always fit all. Inquire about how we can accommodate your unique needs.

SHORT LADDER BAR

Want to carry a ladder that's too short for the crossbar spacing?

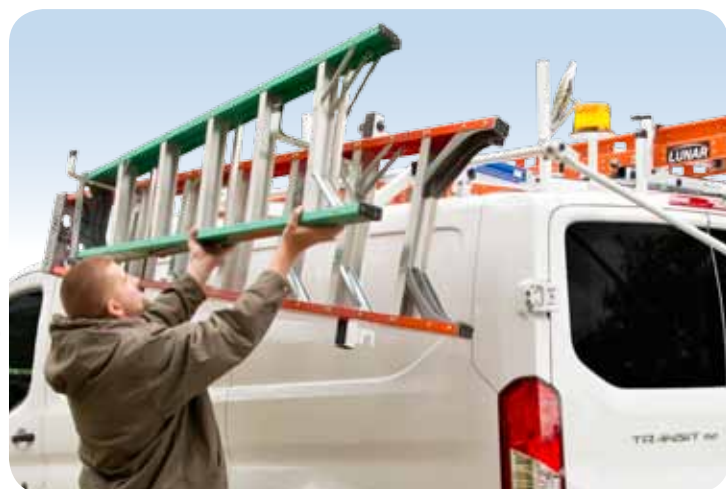
Example: a 6 foot step ladder cannot properly engage hooks spaced at 6 feet. This means the front hook will need to be positioned 4 feet away from the rear hook.

A Short Ladder Bar can position the front hook any distance away from the front crossbar to accommodate your shorter ladder. Available for 5, 6, 7 and 8 foot crossbar spacing.



DOUBLE HIGH

Maximize ladder capacity by adding one additional ladder to a Horizontal Rotation configuration. Ideal for carrying 2 step ladders on one side (up to 75 lbs.) Not available for configurations with slides.



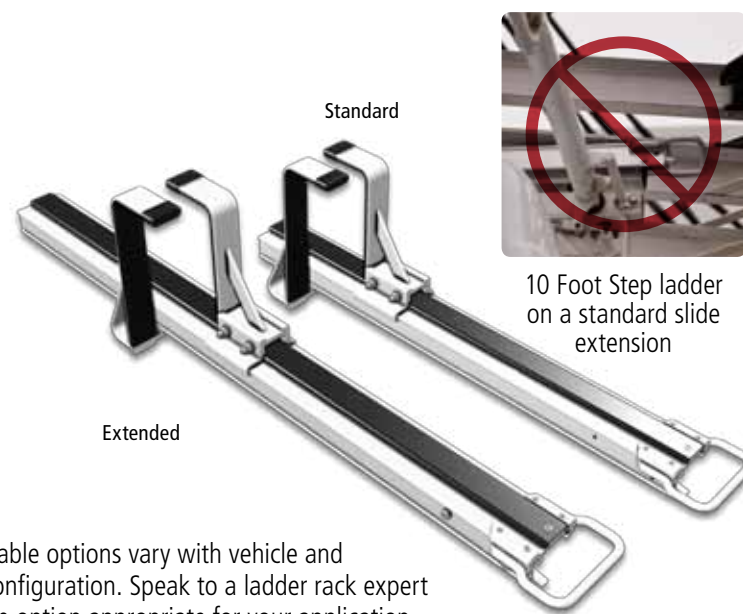
EXTENDED UPPER

Extended Uppers are longer than standard to accommodate the wider base of 10 & 12 foot step ladders and other specialty ladders. Available for standard/low roof van applications.



EXTENDED SLIDE

An Extended Slide is longer than standard to accommodate the wider base of 10 & 12 foot step ladders and other specialty ladders. Available for high roof applications.



Available options vary with vehicle and rack model configuration. Speak to a ladder rack expert to specify an option appropriate for your application at 877-463-7225

ACCESSORIES

CONDUIT TUBE

Confidently secure long material during transportation.

Available in 8, 10, & 12 foot lengths.

- Rugged & durable aluminum construction
- Steel reinforced end caps – keeps contents secure. Tested to 11G.
- Deter theft and secure contents with padlock



REAR MIRROR

A back view of the vehicle with the 8" chrome mirror provides both safety and security. Easy installation for either new or existing rack installations.

Not available for high roof configurations.

- No drilling – easy clamp on installation
- Driver's view of the rear door provides added safety & security.



SEE AND BE SEEN WITH STROBE AND BEACON ACCESSORIES

- Rugged & durable aluminum construction
- No drilling – easy clamp on installation

We have many strobe and beacon options. Speak to a ladder rack expert at 877-463-7225



OPEN SERVICE BODY

Your safety. Our concern.

A single accident can cost a company thousands of dollars, hurt morale, and slow or stop business. Putting safety first protects employees from harm and helps reduce or eliminate workers' compensation claims.

Utilize the space above of your open service body without needing a ladder to access your ladders.



ENCLOSED SERVICE BODY

More time on the job, less time handling ladders.

Transport more tools in your enclosed service body vehicle, keep productivity high, and lower the risk of injuries by installing the right ladder-rack solution. Shown here with inclined rotation.



HEAVY DUTY OPEN SERVICE BODY

Engineered solutions configured for application.

For Utility and Telecom applications, deploying the ladder vertically is mission critical. Prime Design offers several vertical ErgoRack® applications to keep workers safe and productive.



TRAILER/BOX TRUCK

Work smarter, not harder.

The right roof-storage solution can improve safety, increase productivity and lower costs.

ErgoRack® is designed to reduce muscle stress, eliminate risk of injury and speed the job of loading and unloading ladders from any work vehicle.



Easy to use - Deploys with only 2 fingers



Improve Productivity - Deploy or stow in less than :20 seconds



Reduce Injuries - Eliminates slip and fall hazards from climbing on bumper or tire



Safety - Feet stay safely on the ground.



Control ladder deployment with adjustable hydraulic cylinder



Deter theft and secure contents with padlock ready handle



Ergonomic - Winner of ergonomic awards in USA, France, Germany and Australia.

**WORK HARD. DRIVE SMART.
LOOK GOOD.**

Keep productivity high and lower the risk of injuries and worker compensation claims by installing the right roof-storage solution on your truck.

Prime Design's ergonomic, patented and award-winning solutions have helped business owners around the world eliminate or reduce the costs, stress and business pressures caused by work-related injuries.

UNIVERSAL TOPPER APPLICATIONS

Standard out of the box solutions

Good ergonomic ladder transport isn't just the domain of the work van anymore. Many of the rack configurations that are available for vans are also available in universal configurations for pickups with toppers.



CAP/INSERT APPLICATIONS

Optimized manufacturer specific designs

Caps and inserts, while similar to toppers, often allow for more customization of the work truck. Cap and insert manufacturers choose to work with Prime Design to configure racks tailored to their cap/insert designs and provide their customers with the absolute best product period.



BED RAIL MOUNT APPLICATIONS

Carry ladders and keep the bed open for cargo

One size fits all does not work for everyone, and especially with pickup trucks. Sometimes it's more important to have an open bed to load bigger cargo in your work truck. We got you covered. Similar to toppers, many van configurations are also available for pickups in bed mount configurations.



Maximize the safety and carrying capacity of your truck with an ErgoRack®.



Easy to use - Deploys with only 2 fingers



Improve Productivity - Deploy or stow in less than :20 seconds



Reduce Injuries - Eliminates slip and fall hazards from climbing on bumper or tire



Safety - Feet stay safely on the ground.



Control ladder deployment with adjustable hydraulic cylinder



Deter theft and secure contents with padlock ready handle



Ergonomic - Winner of ergonomic awards in USA, France, Germany and Australia.

PRIME DESIGNTM

A Safe Fleet Brand

Ergonomic. Safe. Easy.



ErgoRack[®]

PRIME DESIGNTM

A Safe Fleet Brand

1689 Oakdale Avenue, West St. Paul, Minnesota 55118

Tel: 651-552-8554

Fax: 651-552-1799

Toll Free: 877.463.7225

Prime Design[®], A Safe Fleet Brand, manufactures and distributes ErgoRack[®] professional roof racks for light commercial vehicles. The products are TÜV certified and have received recognition awards for quality, functionality and safety. The solutions feature state of the art materials, technologies, and user interface innovations.

ErgoRack[®] Ladder Racks are protected by one or more of the following patents: 6,092,972; 6,099,231; 6,202,807; 6,427,889; 6,764,268; 6,971,563

ML-7.2-4016 / Rev E / 02-11-2016